

For Product Step File or 3D Model Send a Request Mail To info@nrack.com

Key Locks



Panel Locks

Plane Locks

3Point Locks (Round & Flat)

Handle & Knobs

Hinges

Airvents

Gasketing

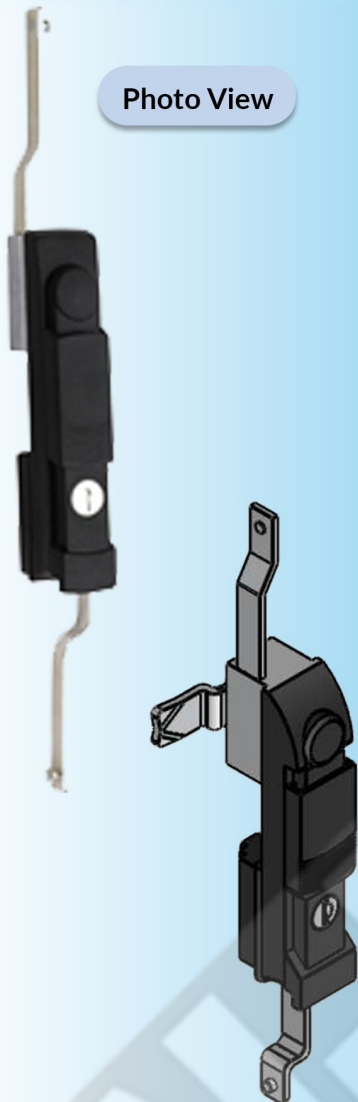
Canopy Locks

Other Accessories

Stainless Steel

## Diffrent Key Combination Available

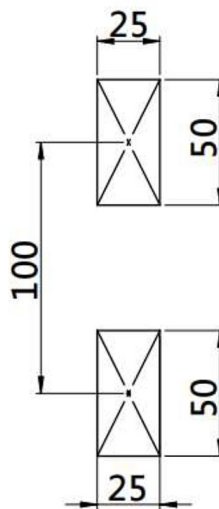
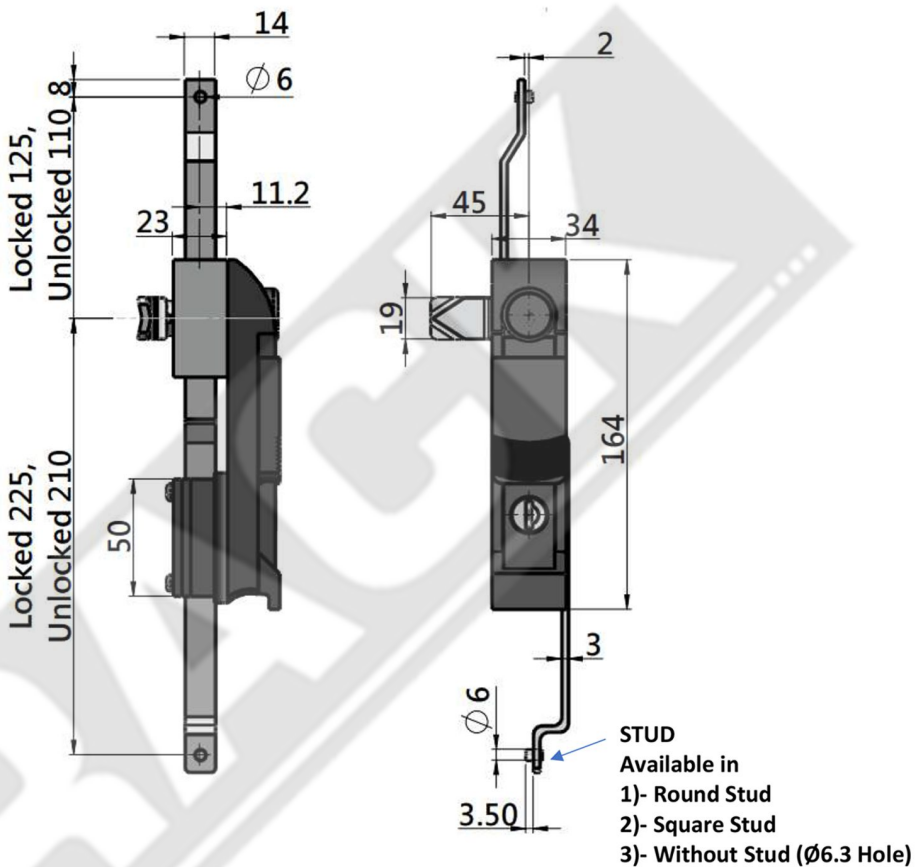
Photo View



3D Rendered View

## MS 824-1-1

- Material: PA body, Zinc alloy shaft  
Zinc plating cam, sand bright chrome plating rack
- Panel thickness: 1~2mm
- Finish: Matt black
- Remark: cam cutout 8 × 8



CUT OUT